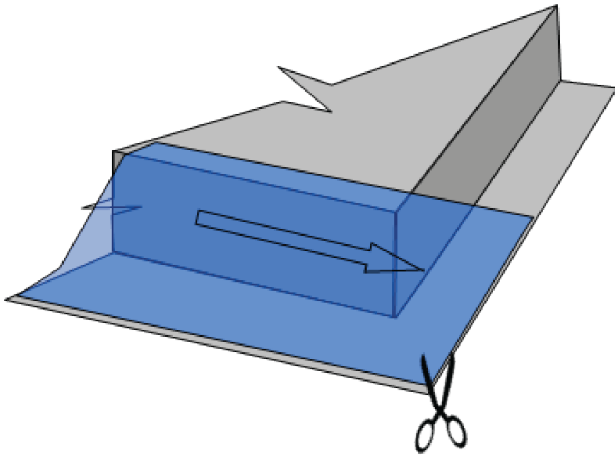
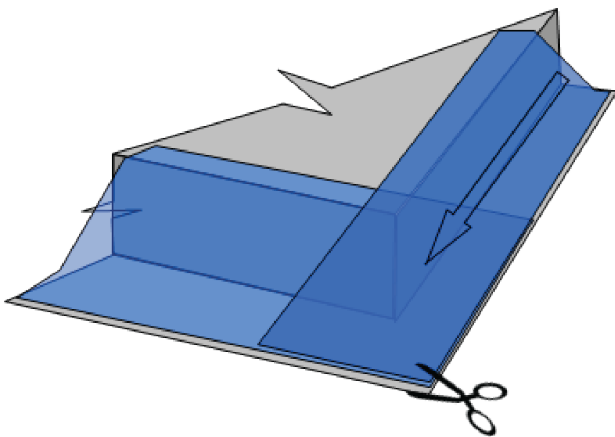


Termiflex - Cut and Glue Corners



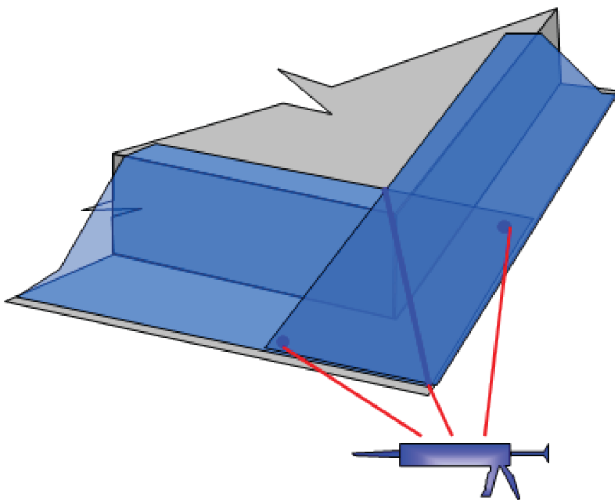
Step 1:

Secure HomeGuard® sheet to the slab as usual. Cut the sheet, leaving enough length to reach the external edge of the slab



Step 2:

Overlap the adjacent sheet and trim it to the correct length so that it will continue to the external edge of the slab



Step 3:

Between the two sheets, apply a continuous bead of Termiflex (approx 5mm wide) diagonally across from the internal corner to the external corner. Also, place a dollop of Termiflex on the opposite corners of the overlapping sheets as per the illustration to right

721022



Certified



Manufactured in Australia

Please always refer to the HomeGuard® Installation Manual for further information