

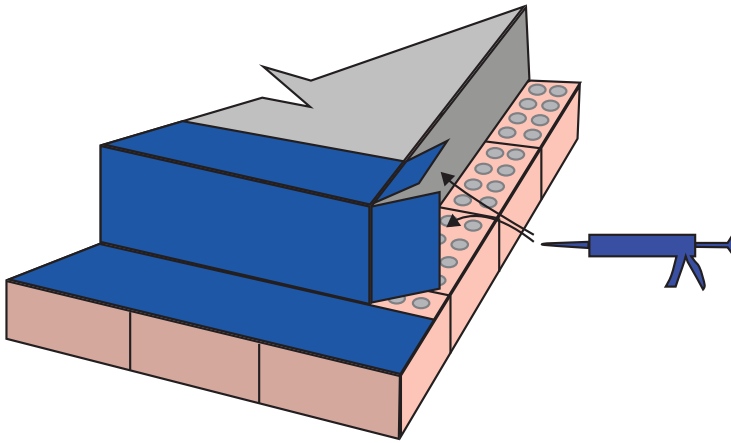


Certified



Manufactured in Australia

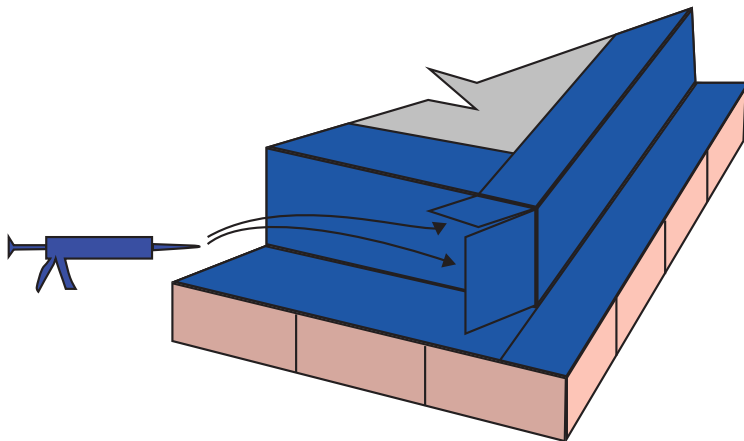
## HomeGuard® Termiflex - Cut and Glue Corners



### Step 1:

Secure HomeGuard® sheet to the slab as usual. Cut the sheet, leaving enough length to reach the finish of the face brickwork.

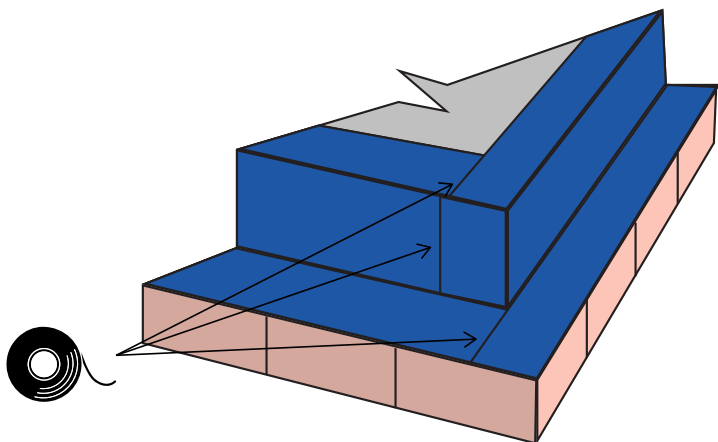
Spray an approved adhesive to the corner of the slab to hold sheet in place.



### Step 2:

Overlap the adjacent sheet and trim it to the correct length so that it will continue to the finish of the face brickwork.

Apply Termiflex to overlapping sheet.



### Step 3:

Between the two sheets, apply a continuous bead of Termiflex (approx 5mm wide) diagonally across from the internal corner to the external corner. Also, place a dollop of Termiflex on the opposite corners of the overlapping sheets as per the illustration to right.

Cloth tape can be used to secure sheet joins.

*Note: A mix of approved fixings/adhesives can be used to create a compliant corner eg clouts*

Please always refer to the HomeGuard® Installation Manual for further information